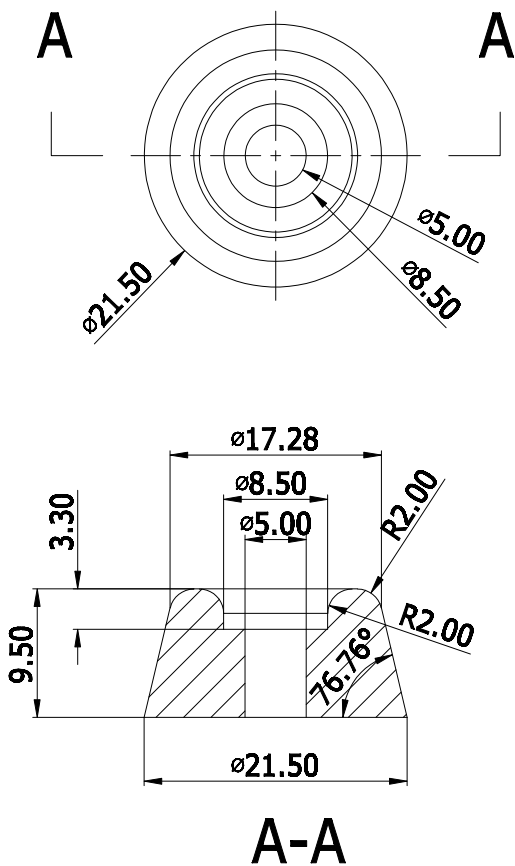


Sizes in millimeters
Dimensions en millimètres



REFERENCE: F31942, V31942, F31943, V31943

