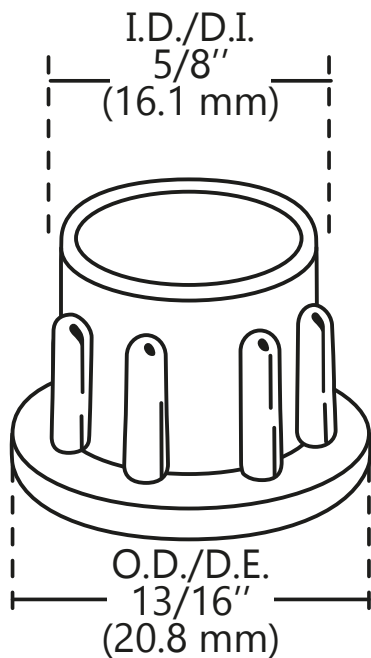




Sizes in millimeters  
Dimensions en millimètres

I.D. = inside dimension  
O.D. = outside dimension  
D.I. = dimension intérieure  
D.E. = dimension extérieure



REFERENCE: F22945, V22945

