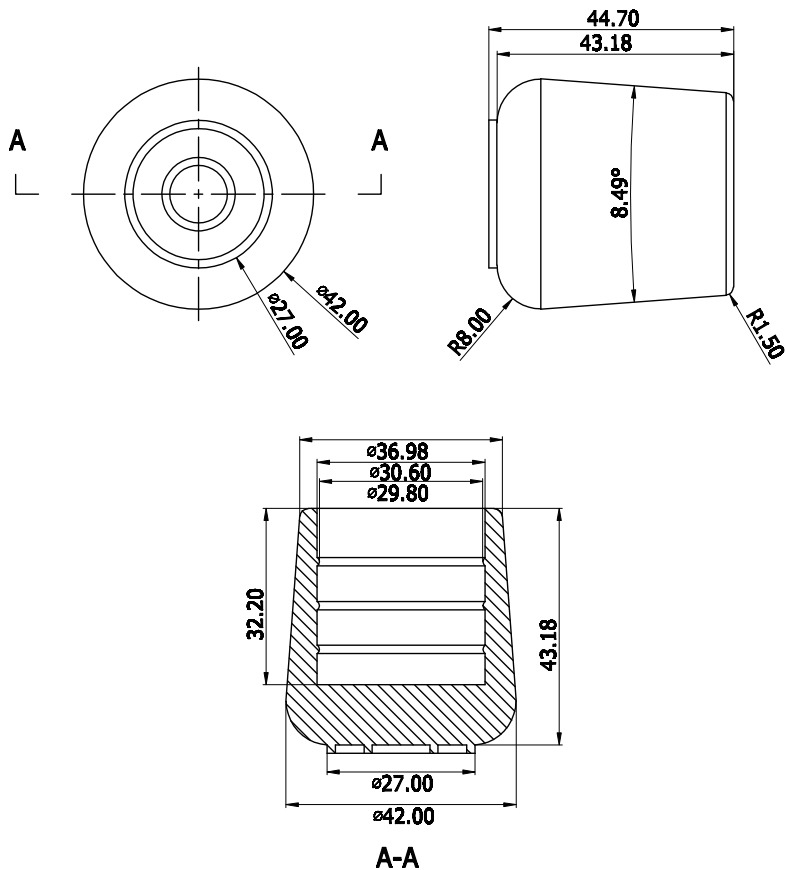


Sizes in millimeters
Dimensions en millimètres



REFERENCE: F32015, F43860, F32017, F43861

